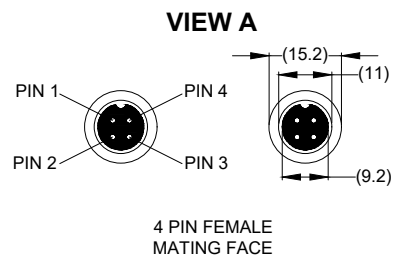
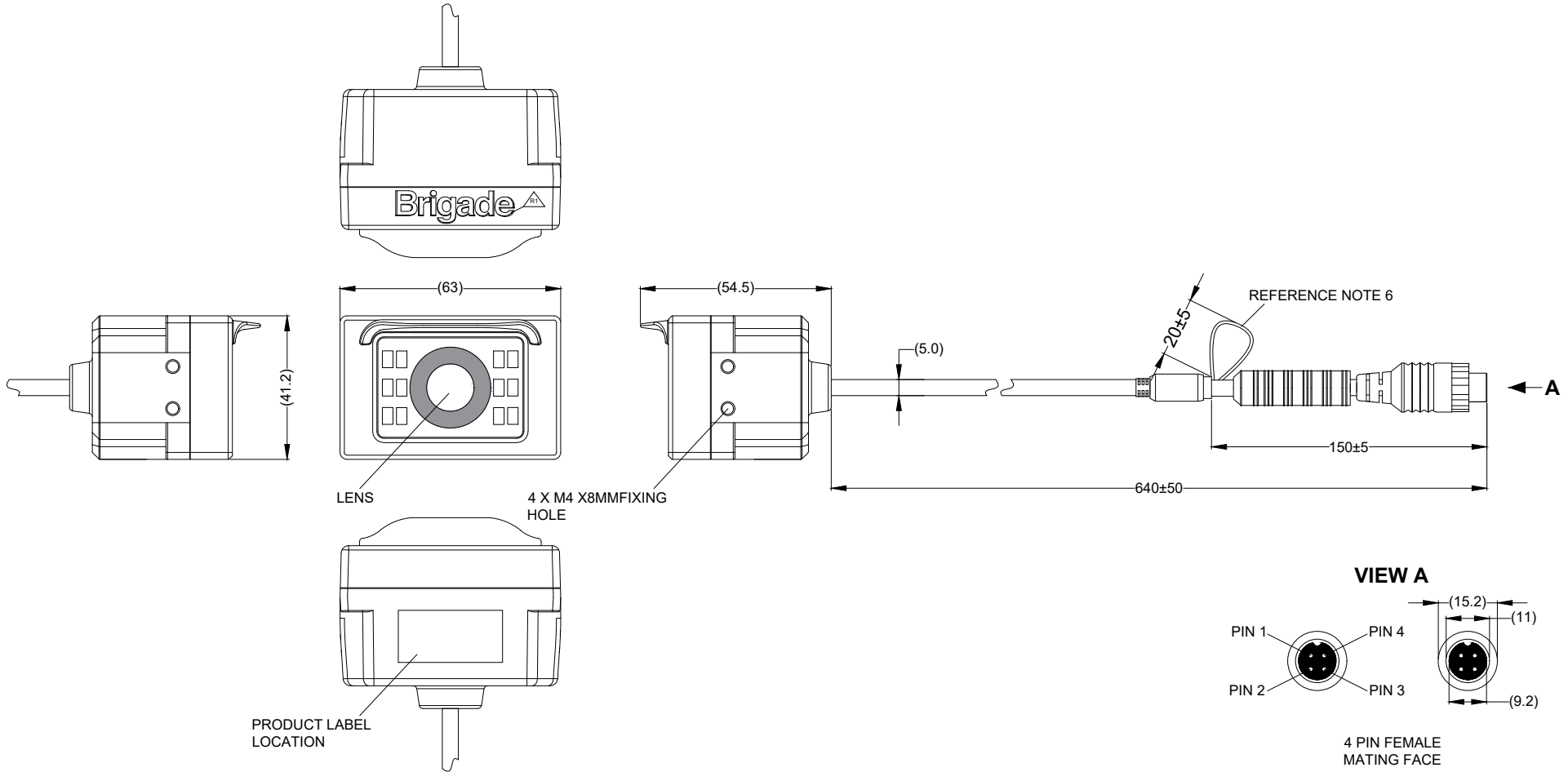


Revision Notes.				
R1- UPDATED TOLARANCE AND BRIGADE LOGO ON HOUSING				
APA: KEN WONG	Drawn: R. TIMMS	Checked: A. KING	Approved: JN BATOUR	Date: 19.11.24



PIN #	WIRE COLOUR	DESCRIPTION
1	RED	+12V
2	BLACK/SHIELD	GND
3	WHITE	N/A
4	YELLOW	VIDEO

- NOTES:**
- FOR PRODUCT LABELS AND PACKAGING DETAILS REFER TO MASTER BOM.
  - HOUSING COLOR AND MATERIAL: BLACK, ABS. FINISH: EXTERIOR SURFACES FINISH Y S 9298.
  - 'BRIGADE' LASER LOGO SYMBOLS TO BE WHITE PAINT.
  - FOR SPECIFICATION DETAILS REFER TO PRODUCT SPECIFICATION (PS).
  - FOR INSTALLATION DETAILS REFER TO INSTALLATION GUIDE.
  - PAL/NTSC VIDEO FORMAT: CLOSED CIRCUIT = PAL, OPEN CIRCUIT = NTSC (CUT WIRE & ISOLATE).
  - FIRMWARE VERSION MIRLO\_CHANGETO\_NPIO\_MCY\_2053\_231012\_TEST3 TO BE PRE-LOADED TO VBV-71XXC MAIN BOARD.
  - ANY CUSTOMER MODIFICATION OF THIS PRODUCT CAUSING SUBSEQUENT FAILURE IS NOT A LIABILITY OF BRIGADE ELECTRONICS PLC.

**PROPRIETARY NOTICE**  
 THIS DESIGN AND TECHNICAL INFORMATION APPEARING ON THIS DRAWING IS THE PROPERTY OF BRIGADE ELECTRONICS, AND IS DISCLOSED IN CONFIDENCE. IT IS NOT TO BE COPIED, REPRODUCED, REVEALED TO OR EXPROPRIATED BY OTHERS, EITHER IN WHOLE OR IN PART WITHOUT THE EXPRESS WRITTEN CONSENT OF BRIGADE ELECTRONICS.



Assembly Pt Approval KEN WONG	Approved by JN BATOUR	Checked by R. TIMMS	Drawn by AF
Angle of Projection Third Angle	Units mm	Scale N/A	Released 26/06/24
Status RELEASED	Assembly Ref VBV-6132C-C		
Part No 8078	BE-004938-01-24		